



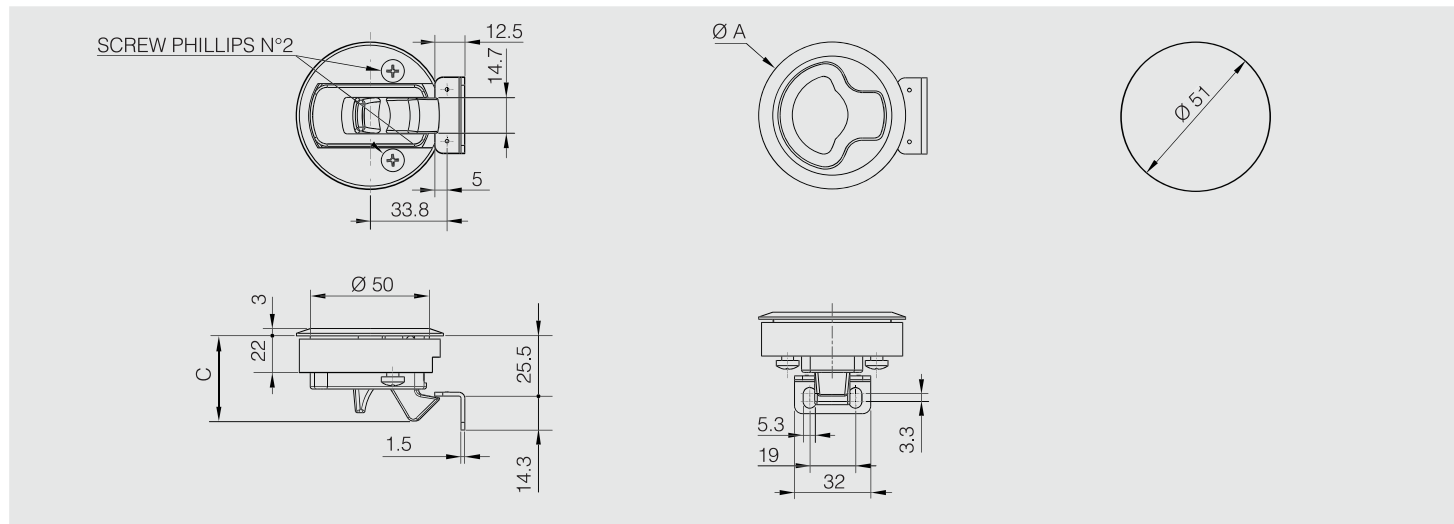
Small slam latches

Low-profile slam latch

Material: UL94-HB ABS.



Part number	Material	Finish	A	C	Weight (g)
16-7-4273	polymer	black	61	35.5	58



Lockable low-profile slam latch

Material: UL94-HB ABS.



Part number	Material	Finish	A	C	Weight (g)
16-7-4275	polymer	black	61	35.5	58

