

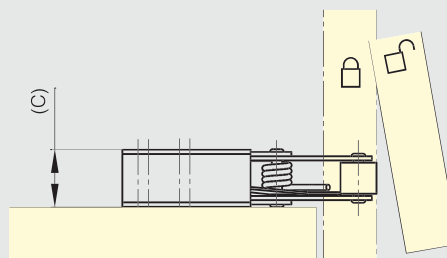
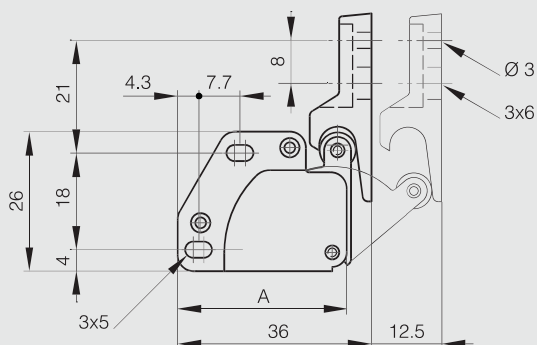


Touch latches

Touch latch in steel

POLYMER STEEL

Part number	Material	Finish	A	C	Weight (g)
16-7-3838	steel	nickel plated and white plastic	33	11	20



Touch latch with steel strike

Body in ABS.

Chrome plated strike and hook in black steel.

POLYMER

Part number	Material	Finish	A	B	C	Force	Weight (g)
16-7-4210	polymer	black	43	26.5	17.8	10kg	16

