



Vector T-handle - stud mounted

IP 65 rated.

Handle rotation 90° right, 90° left.

Material: Body: Glass fiber reinforced polyamide (PA6).

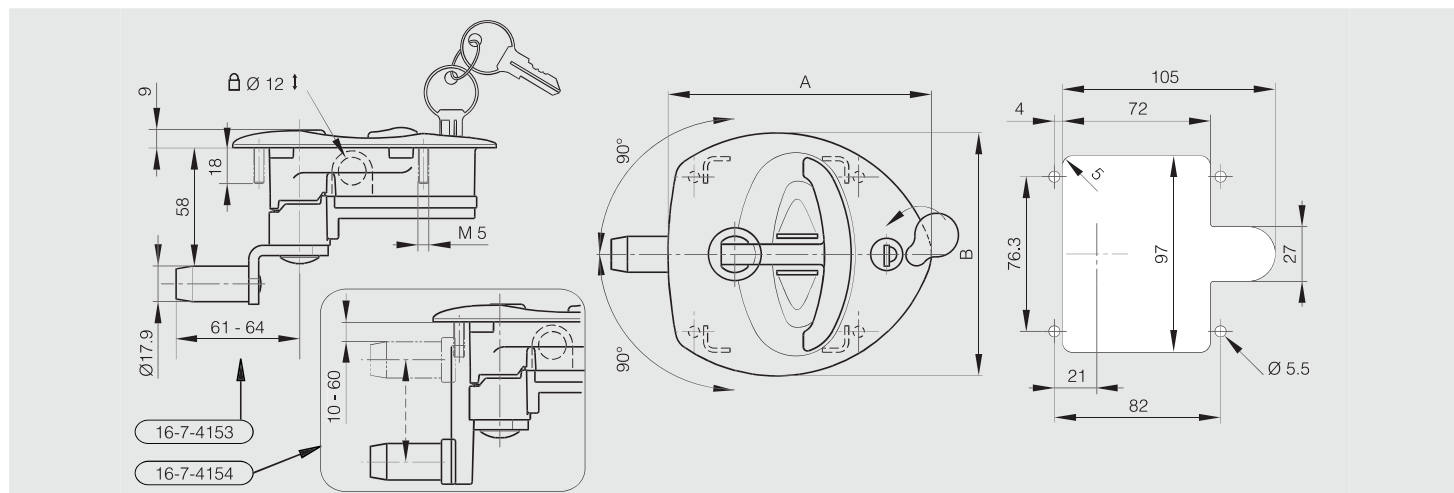
Handle: zinc die-cast black powder coated/ Shaft: zinc die-cast.

Cam: zinc die-cast or zinc plated steel/ Roller: Glass fiber reinforced polyamide (PA6).

Other key numbers and cams are available on request.



Part number	Material	Finish	A	B	Note	Weight (g)
16-7-4153	polyamide and zinc die-cast	black	131	120	1 point cam (H58)	450
16-7-4154	polyamide and zinc die-cast	black	131	120	adjustable 1 point cam (H10-60)	490



Vector T-handle - screw mounted

Handle rotation 90° right, 90° left.

Outline flat gasket reference 27-7-3912.

Material : Body : Glass fiber reinforced polyamide (PA6).

Handle : zinc die-cast black powder coated.

Shaft : zinc die-cast.

Cam : zinc die-cast or zinc plated steel.

Roller : Glass fiber reinforced polyamide (PA6).

Other key numbers and cams are available on request.



Part number	Material	Finish	A	B	Note	Weight (g)
16-7-4151	polyamide and zinc die-cast	black	131	120	1 point cam (H58)	410
16-7-4152	polyamide and zinc die-cast	black	131	120	adjustable 1 point cam (H10-60)	460

