



Slam latches

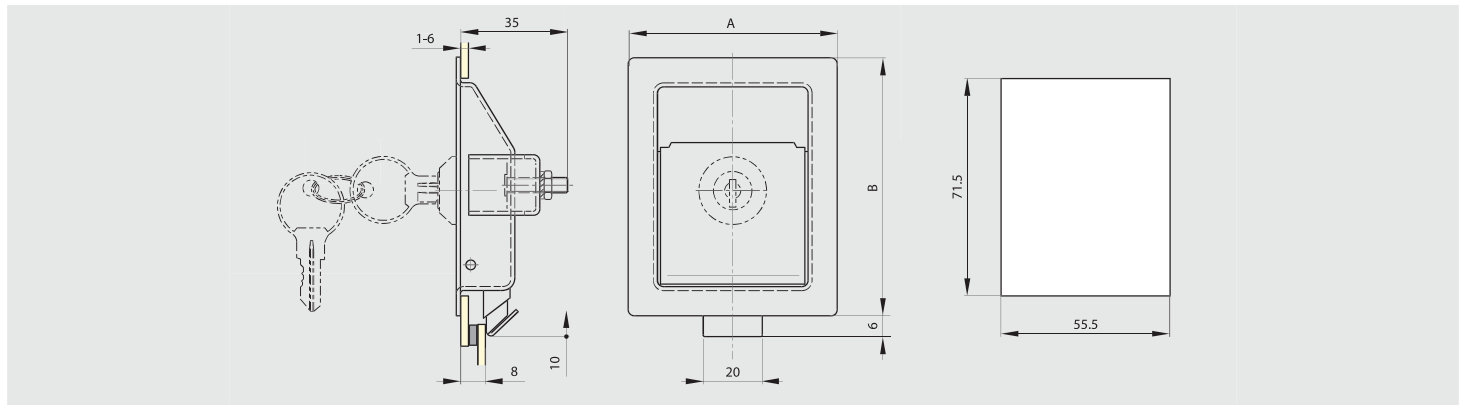
Paddle latches / hooked cam

Paddle latches 68.5 x 84 mm

Available with or without key.
 Keyed alike for version with cylinder.
 Spring in stainless steel.

STAINLESS
STEEL STEEL

Part number	Material	Finish	A	B	Note	Weight (g)
16-1-4105	steel	zinc plated	68.5	84	without key	184
16-1-4106	steel	zinc plated	68.5	84	with key	184
16-1-4217	steel	black	68.5	84	without key	184
16-1-4107	304 stainless steel	raw	68.5	84	without key	184
16-1-4108	304 stainless steel	raw	68.5	84	with key	184



Hooked cam

Hooked cam can be fitted to any standard quarter turn.

ZAMAK ✓
RoHS

Part number	Material	Finish	Note	Weight (g)
16-7-4061	zinc die-cast	zinc plated	right	40
16-7-4062	zinc die-cast	zinc plated	left	40

