



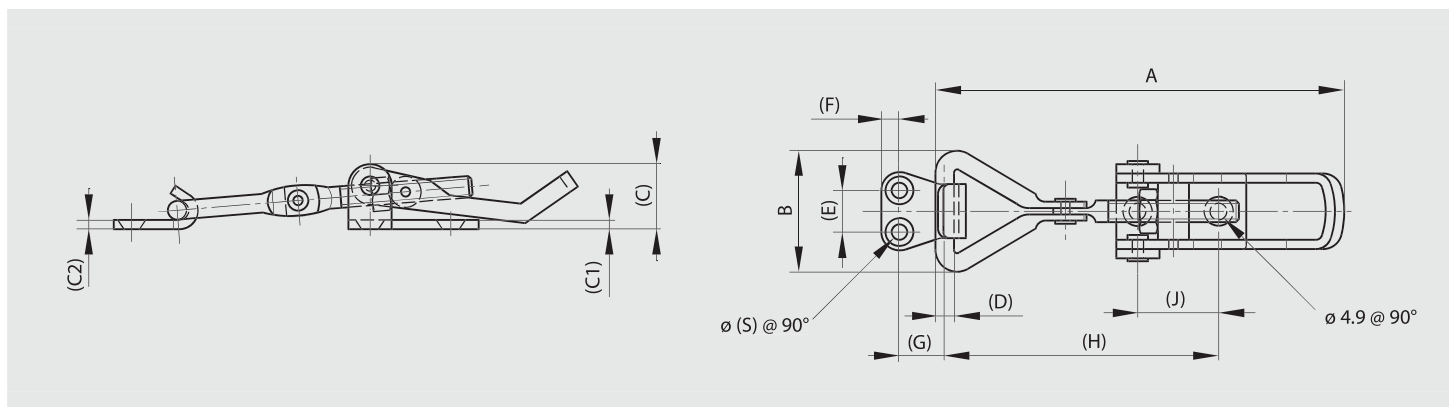
Adjustable toggle latches

Adjustable toggle latches with strike 82 mm and 103 mm long

STAINLESS
STEEL STEEL RoHS



Part number	Material	Finish	A	B	C	C1	C2	D	E	F	G	H	J	S	Note	Weight (g)
16-7-4017	steel	zinc plated	82	28	14	2	2	4	14	5	10	52-59	18	4	82 < A < 89	46
16-7-4019	steel	zinc plated	103	34	16	2.5	3	5	17	6.5	10	68-86	17	5.2	103 < A < 121	90
16-7-4024	304 stainless steel	raw	82	28	14	2	2	4	14	5	10	52-59	18	4	82 < A < 89	46
16-7-4026	304 stainless steel	raw	103	34	16	2.5	3	5	17	6.5	10	68-86	17	5.2	103 < A < 121	90



Adjustable toggle latches with strike 118 mm

STAINLESS
STEEL STEEL RoHS

Part number	Material	Finish	A	B	C	Note	Weight (g)
16-7-4022	steel	zinc plated	118	40	18	118 < A < 128	130
16-7-4029	304 stainless steel	raw	118	40	18	118 < A < 128	130

