



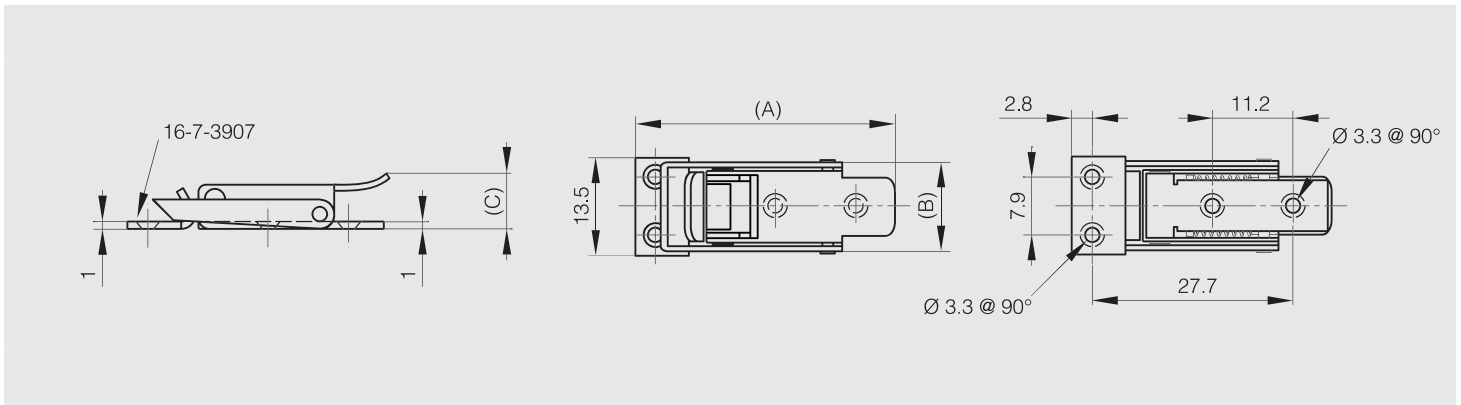
## Toggles latches

### Spring loaded toggle latch without strike 35.8 mm

This small latch is used with strike part number 16-7-3907.



Part number	Material	Finish	A	B	C	Weight (g)
16-7-3906	304 stainless steel	raw	35.8	12.3	7.9	9



### Strike for part number 16-7-3906



Part number	Material	Finish	Weight (g)
16-7-3907	304 stainless steel	raw	5

