



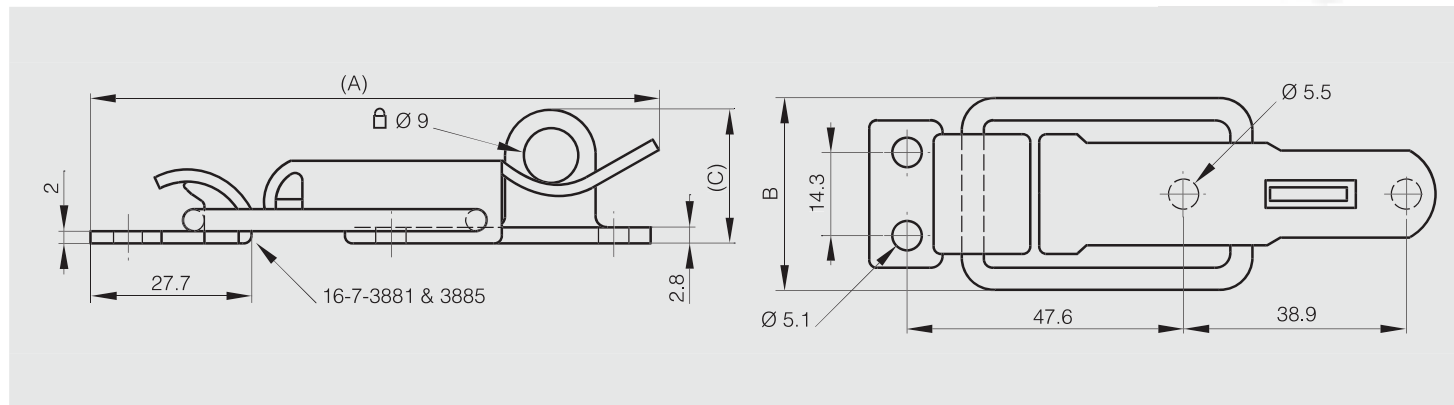
## Padlockable toggle latches

### Padlockable toggle latches - 97.6 mm

This latch is used with strike part numbers 16-7-3881 and 16-7-3885.



Part number	Material	Finish	A	B	C	Weight (g)
16-7-3883	steel	zinc plated	97.6	33	23.1	68
16-7-3884	304 stainless steel	raw	97.5	33	23.1	68



### Strikes for part numbers 16-7-3883 and 16-7-3884



Part number	Material	Finish	Weight (g)
16-7-3881	steel	zinc plated	9
16-7-3885	304 stainless steel	raw	9

