



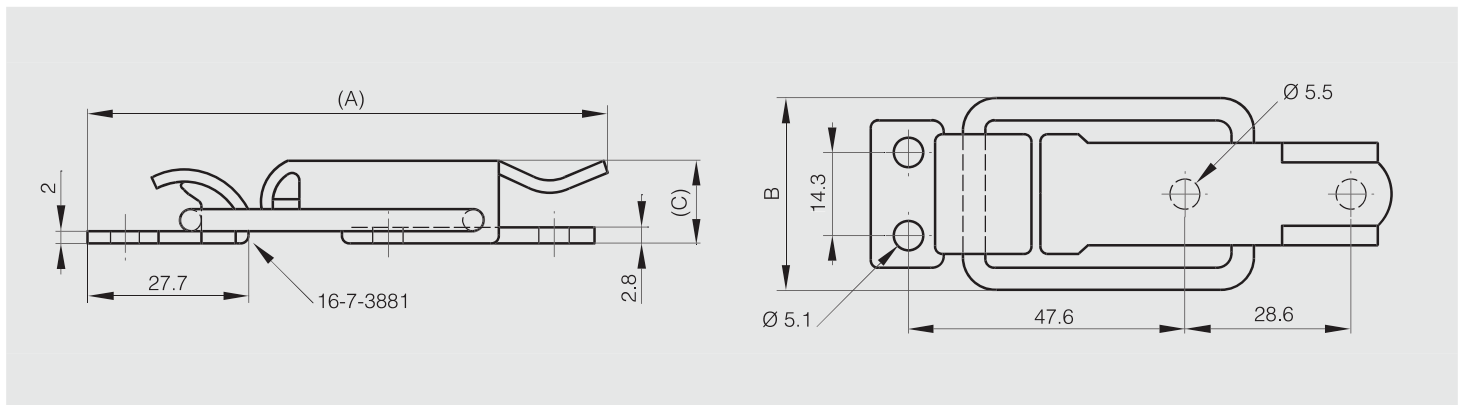
Standard toggle latches

Toggle latch without strike - 89.7 mm

This latch is used with strike part number 16-7-3881.



Part number	Material	Finish	A	B	C	Weight (g)
16-7-3880	steel	zinc plated	89.7	33	14.2	68



Strike for part number 16-7-3880



Part number	Material	Finish	Weight (g)
16-7-3881	steel	zinc plated	9

