



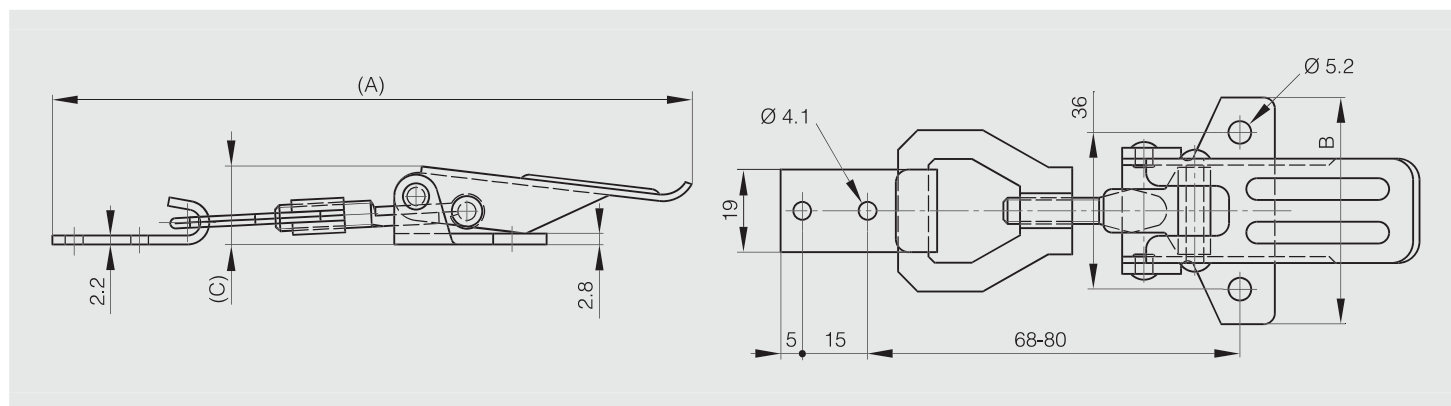
## Adjustable toggle latches

### Adjustable toggle latches with strike 138 mm

Dimension A is adjustable from 138 mm to 150 mm.



Part number	Material	Finish	A	B	C	Note	Weight (g)
16-7-3840	steel	zinc plated	138	52	18	138 < A < 150	100
16-7-3841	304 stainless steel	raw	138	52	18	138 < A < 150	100



### Adjustable toggle latches with secondary lock without strike

Dimension A is adjustable from 115 mm to 122 mm.



Part number	Material	Finish	A	B	C	Note	Weight (g)
16-1-4231	304 stainless steel	raw	115	52	22	115 < A < 122	85

