

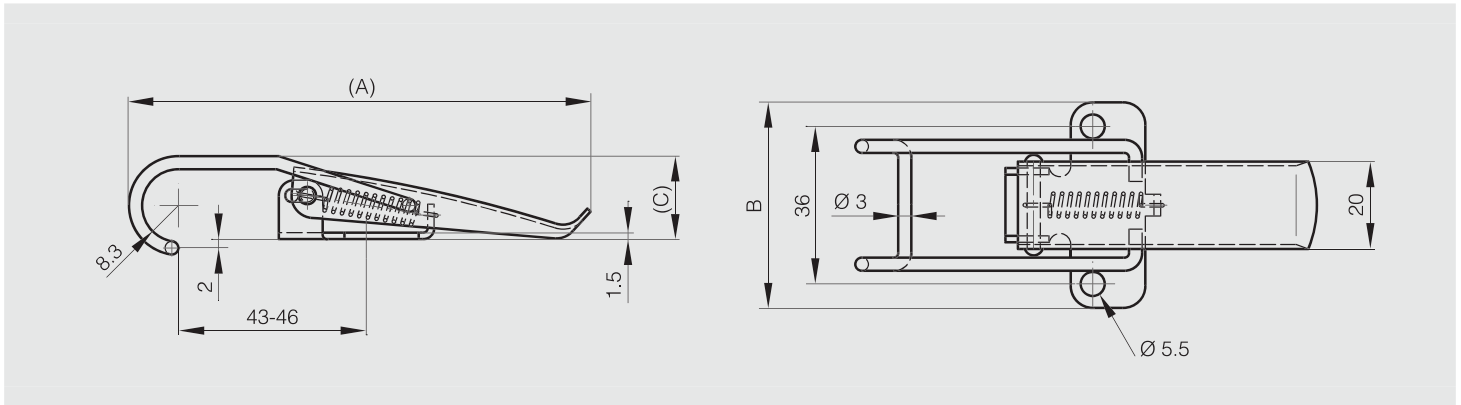


Toggle latches without strikes

Toggle latch without strike - 106 mm

STEEL RoHS

Part number	Material	Finish	A	B	C	Weight (g)
16-7-3768	steel	black cataphoresis	106	47	19.5	42



Hooked toggle latch without strike

STAINLESS STEEL RoHS

Part number	Material	Finish	A	B	C	Note	Weight (g)
16-1-4261	304 stainless steel	raw	80	27	32.1	80 < A < 107	82

