



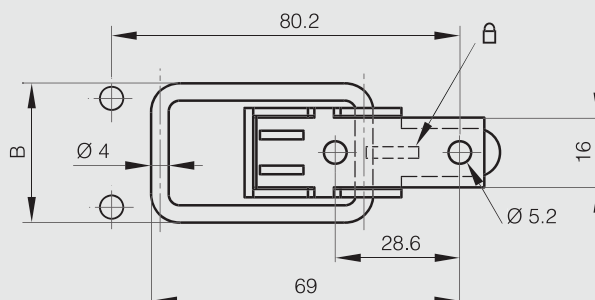
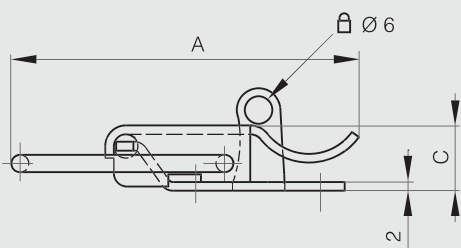
Toggles latches

Padlockable toggle latch - 80.2 mm

This latch is used with strike part number 16-7-3730.



Part number	Material	Finish	A	B	C	Note	Weight (g)
16-7-3724	304 stainless steel	raw	80.2	32	23.5	drilled	55



Strike for part number 16-7-3724



Part number	Material	Finish	A	B	Note	Weight (g)
16-7-3730	304 stainless steel	raw	27.4	26	drilled	10

