



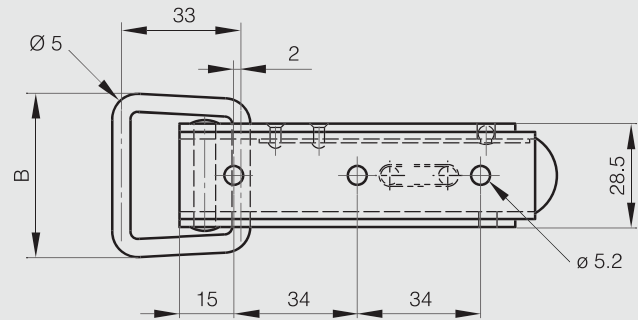
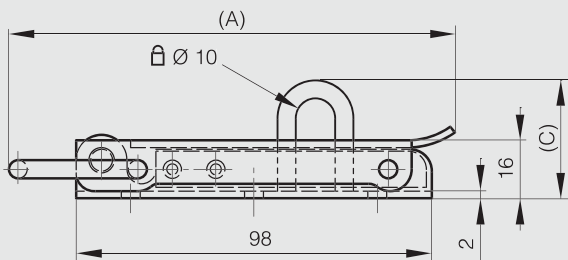
Padlockable toggle latches

Padlockable toggle latches - 122 mm

This latch is used with strike part number 16-7-3551.

STEEL RoHS

Part number	Material	Finish	A	B	C	Weight (g)
16-7-3664	steel	zinc plated	122	45	32.5	176



Strike for part number 16-7-3664

STEEL RoHS

Part number	Material	Finish	A	B	Weight (g)
16-7-3551	steel	zinc plated	28	25	24

