

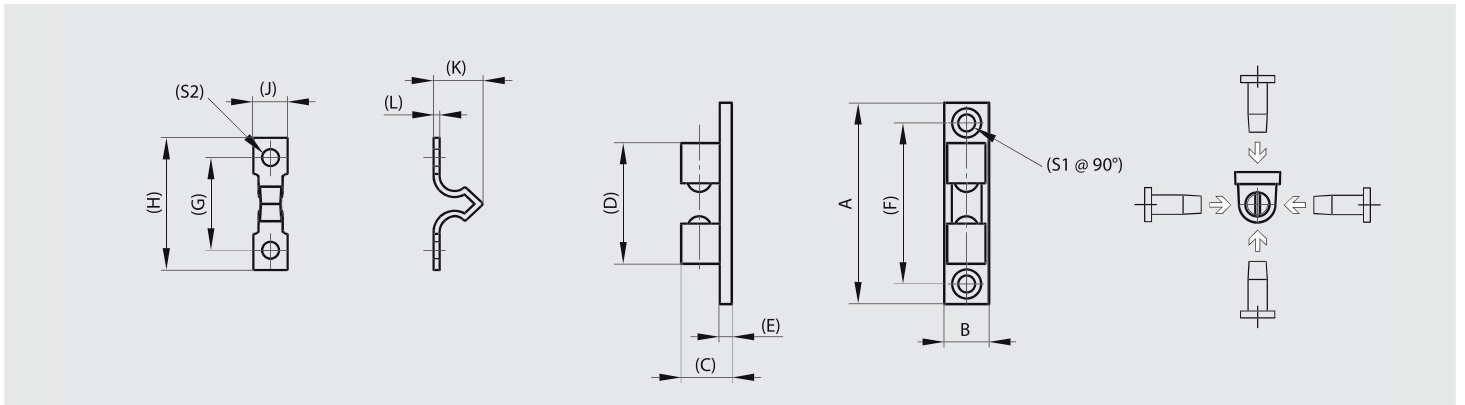


### Dual ball catches A

Coutersunk on both sides of the catch.  
 Strike can be secured on 4 sides of the catch.  
 Body of the catch: zinc die-cast with brass finish.  
 Balls: in steel  
 Strike: in steel with brass finish.



Part number	Material	Finish	A	B	C	D	E	F	G	H	J	K	L	S1	S2	Weight (g)
16-7-3469	zinc die-cast	brass	49.9	11.4	12.6	30	3	40	20.2	30.5	8.1	17	1.4	4.3	4	22
16-7-3470	zinc die-cast	brass	60	14.6	14.7	38	3	48	27	42	10.2	20	2	4.2	5	38
16-7-3471	zinc die-cast	brass	70	17.3	16.5	43.6	3.5	57	34	50	12	22.5	2	4.3	3.5	59



### Dual ball catches B

Strike can be secured on 2 sides of the catch.  
 Body of the catch: zinc die-cast with brass finish.  
 Balls: in steel  
 Strike: in steel with brass finish.



Part number	Material	Finish	A	B	C	D	E	F	G	H	J	K	L	S1	S2	Weight (g)
16-7-3423	zinc die-cast	brass	41.7	8.5	10.7	26	2.6	34	16.9	25.7	8	13.5	1.2	3.5	3	14

