



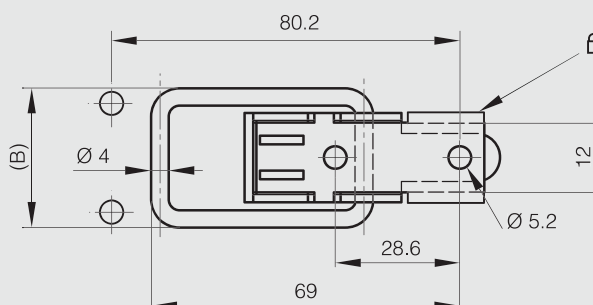
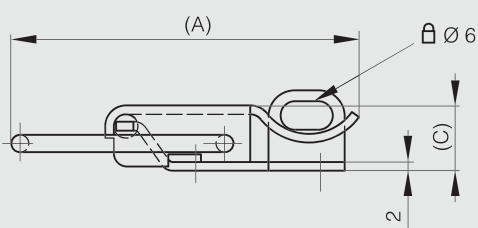
## Padlockable toggle latches

### Padlockable toggle latches - 80.5 mm

This latch is used with strike part number 16-7-3415.

STEEL RoHS

Part number	Material	Finish	A	B	C	Note	Weight (g)
16-7-3397	steel	raw	80.5	32	18.5	drilled	59
16-7-3395	steel	zinc plated	80.5	32	15	drilled	59



### Strike for part numbers 16-7-3395 and 16-7-3397

STEEL RoHS

Part number	Material	Finish	A	B	C	D	E	Note	Weight (g)
16-7-3415	steel	zinc plated	20	26.2	2	15	5.1	drilled	9

