



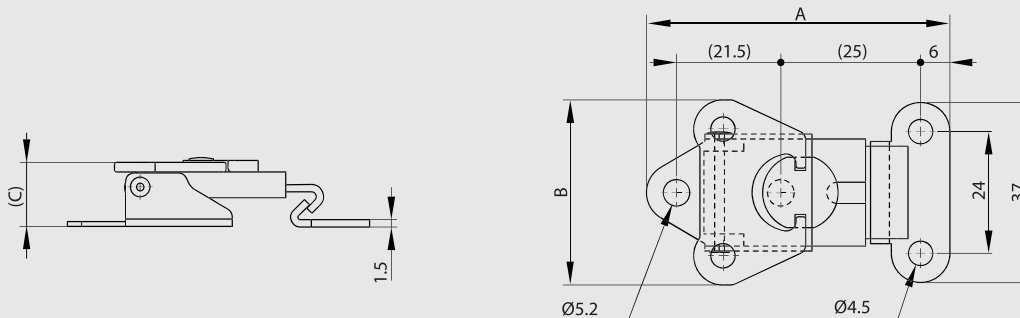
## Rotary toggle latches

### Rotary toggle latches

Strike included.

STAINLESS  
STEEL STEEL RoHS

| Part number | Material            | Finish      | A  | B  | C    | Note        | Weight (g) |
|-------------|---------------------|-------------|----|----|------|-------------|------------|
| 16-1-9012   | steel               | zinc plated | 62 | 38 | 13.2 | with strike | 50         |
| 16-1-9013   | 304 stainless steel | raw         | 62 | 38 | 13.2 | with strike | 50         |



### Spring loaded rotary toggle latches

Strike included.

STAINLESS  
STEEL STEEL RoHS

| Part number | Material            | Finish      | A  | B  | C  | Note        | Weight (g) |
|-------------|---------------------|-------------|----|----|----|-------------|------------|
| 16-1-9014   | steel               | zinc plated | 62 | 46 | 12 | with strike | 60         |
| 16-1-9015   | 304 stainless steel | raw         | 62 | 46 | 12 | with strike | 60         |

