



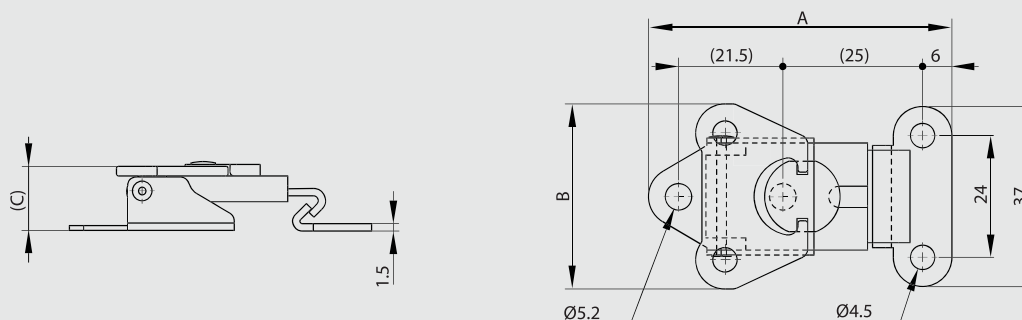
Toggles latches

Rotary toggle latches

Strike included.



| Part number | Material | Finish | A | B | C | Note | Weight (g) |
|-------------|---------------------|--------|----|----|------|-------------|------------|
| 16-1-9013 | 304 stainless steel | raw | 62 | 38 | 13.2 | with strike | 50 |



Spring loaded rotary toggle latches

Strike included.



| Part number | Material | Finish | A | B | C | Note | Weight (g) |
|-------------|---------------------|--------|----|----|----|-------------|------------|
| 16-1-9015 | 304 stainless steel | raw | 62 | 46 | 12 | with strike | 60 |

