

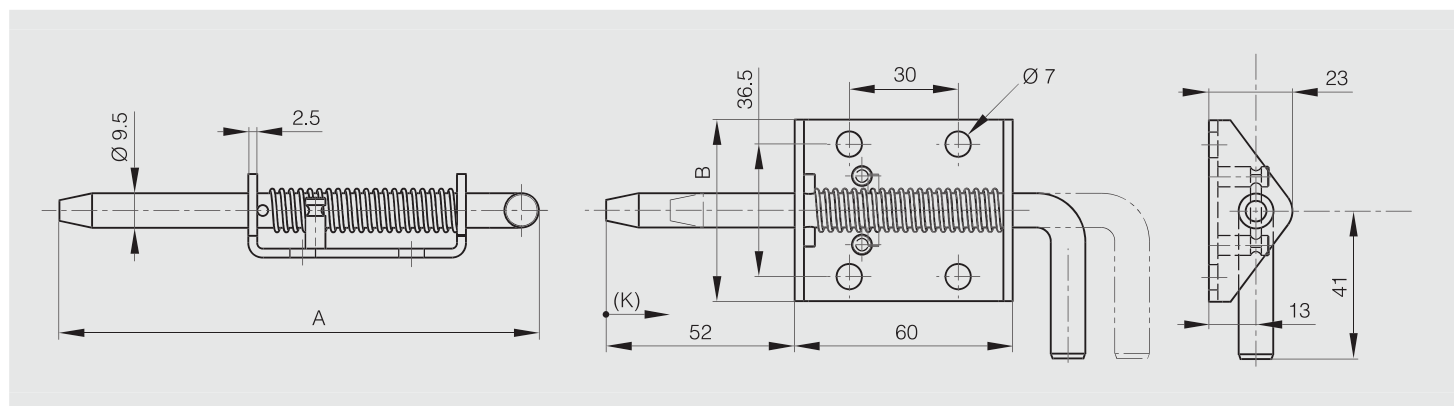


Springloaded bolt with locking system B

Heavy duty range. Stop when open.



Part number	Material	Finish	A	B	K	Weight (g)
16-1-9007	steel	zinc plated	132	50	17	175
16-1-9025	304 stainless steel	raw	132	50	17	170



Push barrel bolt

Stainless steel latch with steel shaft and plastic button.

Produced mainly in stainless steel, for a complete description of the materials contact us.



Part number	Material	Finish	A	B	C	Weight (g)
16-1-9008	304 stainless steel	raw	64	33.5	15	44

