

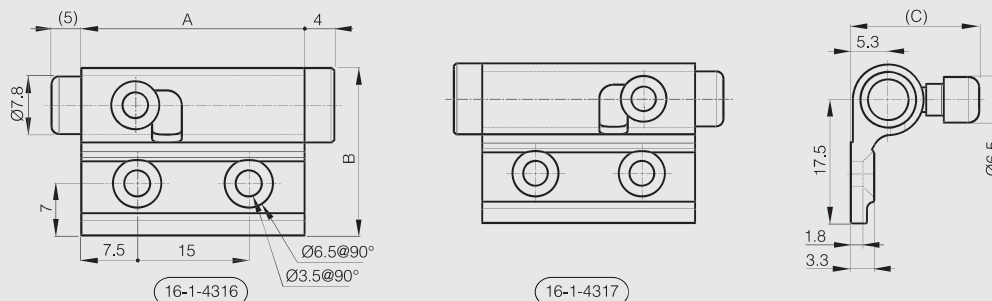
Springloaded bolt with locking system in aluminium - small dimension



ALU RoHS

Bolt can be held back in unlocked position.
 Body: clear anodised aluminium.
 Shaft and handle: raw aluminium.
 Cap: PE, black.
 Spring: stainless steel.

	Part number	Material	Finish	A	B	C	Note	Weight (g)
NEW	16-1-4316	alu 6060 T5	clear anodised	30	22.5	18.2	type 2	9
NEW	16-1-4317	alu 6060 T5	clear anodised	30	22.5	18.2	type 1	9



Springloaded bolt with locking system in aluminium

ALU RoHS

Stop when open.
 Body: clear anodised aluminium.
 Shaft and handle: raw aluminium.
 Cap: PE, black.
 Spring: stainless steel.
 No strike included (strike part number 16-1-4323).

	Part number	Material	Finish	A	B	C	Note	Weight (g)
	16-1-4312	6060 T5 alu	clear anodised	60	36.5	34	type 2	58
	16-1-4313	6060 T5 alu	clear anodised	60	36.5	34	type 1	58

