



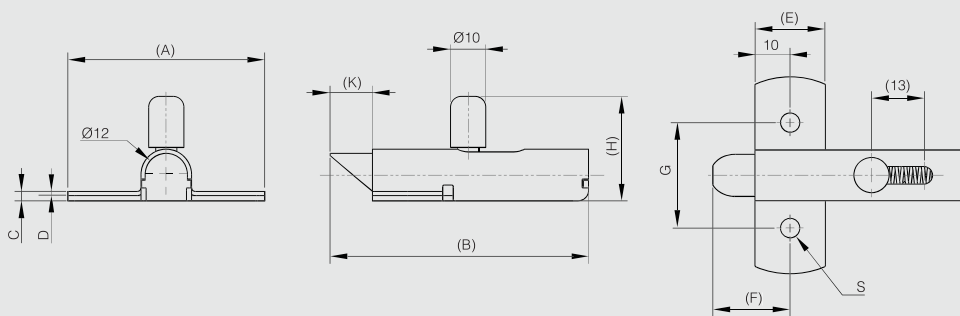
Slam latches

Slam latch in stainless steel - bolt "nose-up"

Stainless steel slam latch.



Part number	Material	Finish	A	B	C	D	E	F	G	H	K	S	Weight (g)
16-1-4265	304 stainless steel	raw	56	73.5	2.7	1.2	20	22	30	29.7	12	5.5	87



Slam latch in stainless steel - bolt "nose-down"

Stainless steel slam latch.



Part number	Material	Finish	A	B	C	D	E	F	G	H	K	S	Weight (g)
16-1-4282	304 stainless steel	raw	56	73.5	2.7	1.2	20	22	30	29.7	12	5.5	87

