



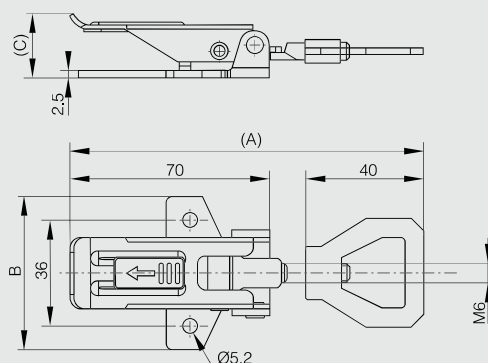
Toggles latches

Adjustable toggle latch with secondary lock without strike

Dimension A is adjustable from 115 mm to 122 mm.



Part number	Material	Finish	A	B	C	Note	Weight (g)
16-1-4231	304 stainless steel	raw	115	52	22	115 < A < 122	85



Strike for part number 16-1-4231



Part number	Material	Finish	A	B	Weight (g)
16-1-4236	304 stainless steel	raw	67	57.9	35

