



Lockable toggle latch without strike

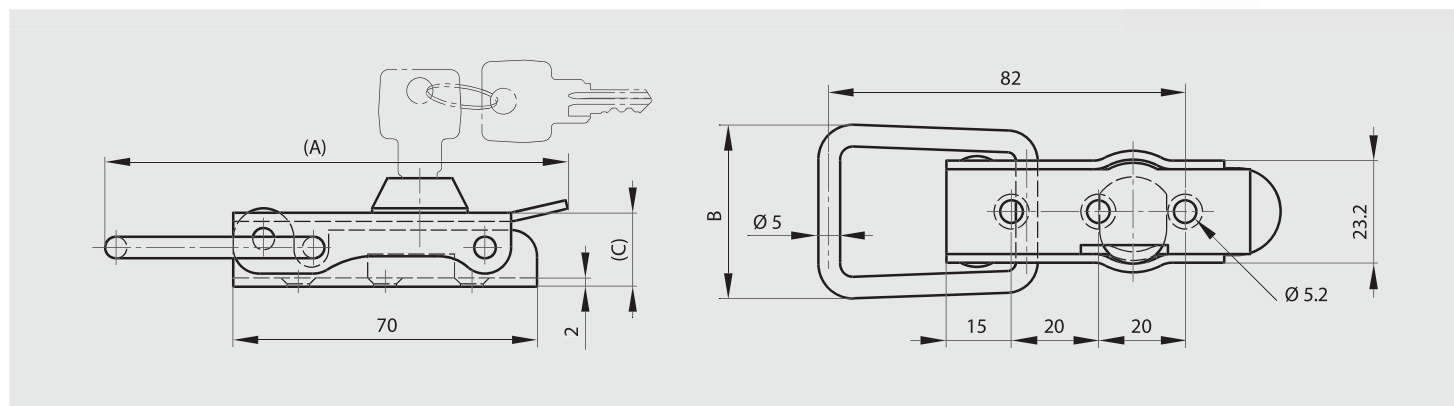
Keyed alike (2 identical keys).

Strike not included.

For part number 16-1-4257: with dust shutter.



Part number	Material	Finish	A	B	C	Weight (g)
16-1-4050	steel	zinc plated	106.5	40	17	132
16-1-4257	304 stainless steel	raw	106.5	40	17	132



Strikes for part numbers 16-1-4050 and 16-1-4257

Possible alternative strikes: 16-1-4038, 16-7-3406 and 16-7-3870.



Part number	Material	Finish	A	B	Weight (g)
16-7-3551	steel	zinc plated	28	25	24
16-7-3601	304 stainless steel	raw	28	25	24

