

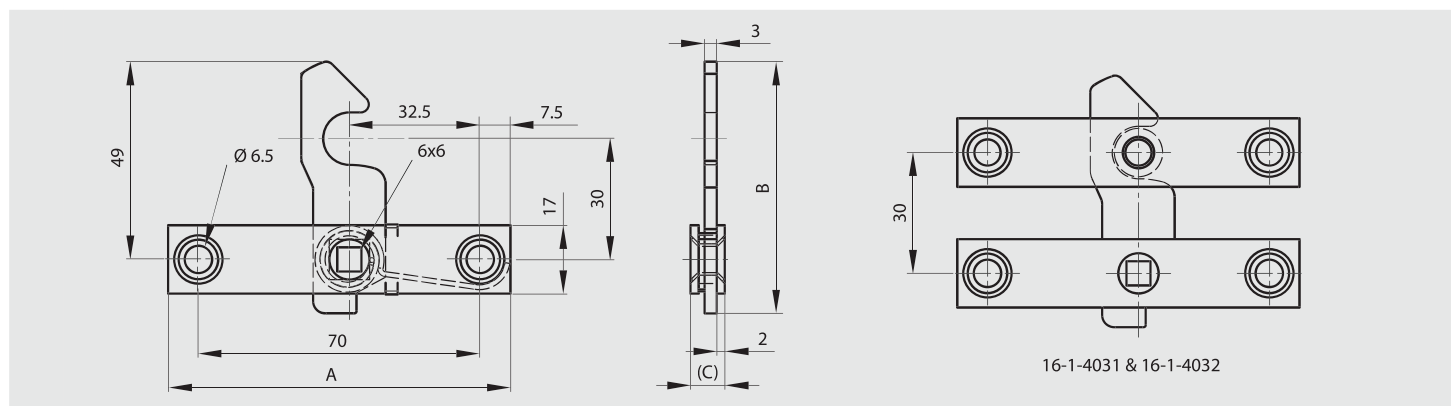


### Spring budget latch

Not handed.



Part number	Material	Finish	A	B	C	Note	Weight (g)
16-1-4031	304 stainless steel	deburred	85	53.4	8.5	Budget latch (no strike)	69



### Strike for spring budget latch 16-1-4031



Part number	Material	Finish	A	B	C	Note	Weight (g)
16-1-4032	304 stainless steel	deburred	85	17	8.5	strike	48

