



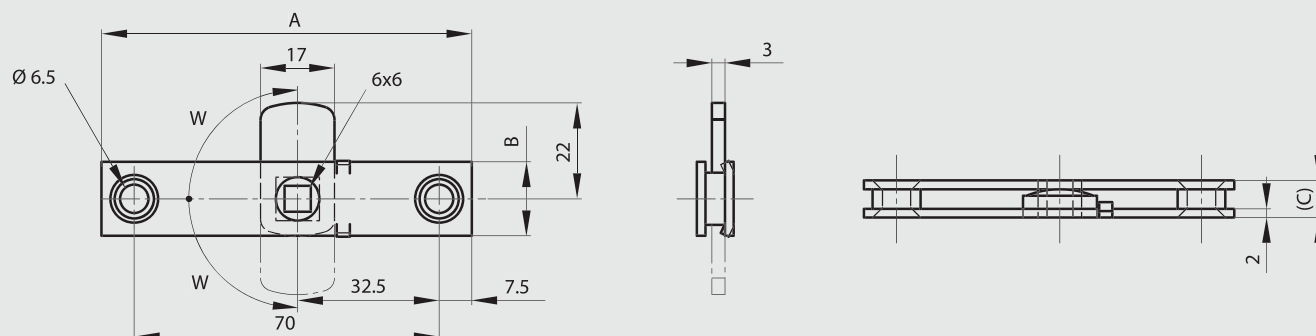
## Rotary locks

### Budget latch - square 6x6 - stainless steel

Not handed.



Part number	Material	Finish	A	B	C	W	Weight (g)
16-1-3972	304 stainless steel	raw	85	17	8.5	90°	56



### Budget latches - square 8x8

Not handed. 3 indent positions.



Part number	Material	Finish	A	B	C	W	Weight (g)
16-1-4086	304 stainless steel	raw	80	19	8	90°	63

