



Spring loaded latches

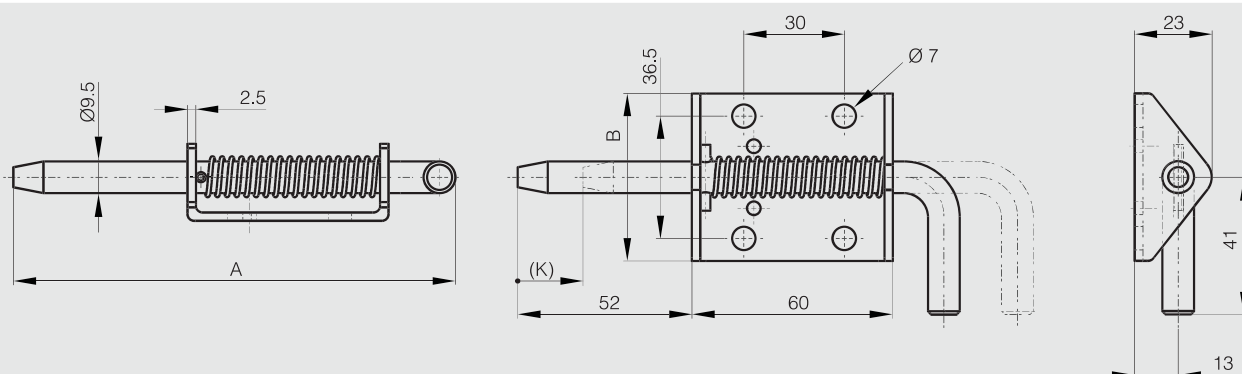
Spring-loaded latches - no stop in opening position

Springloaded bolt

Heavy duty range. No stop when open.

STEEL RoHS

| Part number | Material | Finish | A | B | K | Note | Weight (g) |
|-------------|----------|-------------|-----|----|----|---------|------------|
| 16-1-9026 | steel | zinc plated | 132 | 50 | 17 | no stop | 175 |



Springloaded latch with round bolt

STEEL RoHS

| Part number | Material | Finish | A | B | H | K | S | Weight (g) |
|-------------|----------|-------------|----|------|----|----|-----|------------|
| 16-1-3647 | steel | zinc plated | 35 | 43.5 | 19 | 10 | 3.5 | 21 |

