



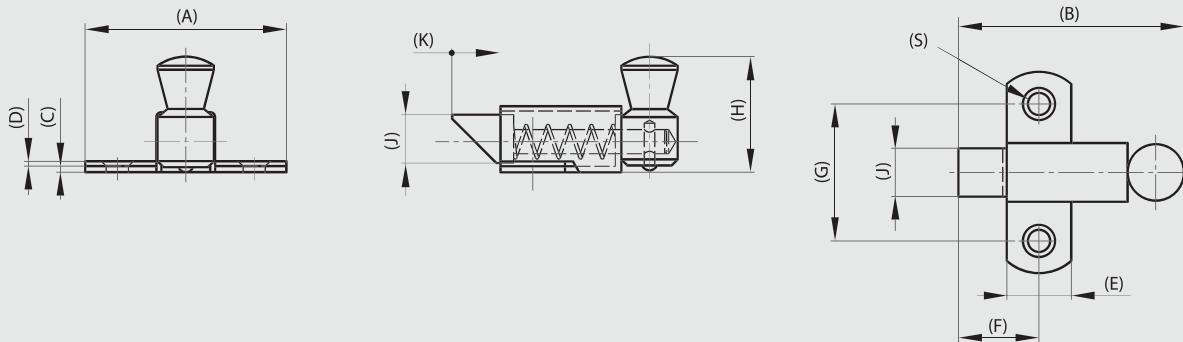
Small slam latches

Springloaded latches - bolt "nose-up"

Slam latches.

BRASS STEEL

Part number	Material	Finish	A	B	C	D	E	F	G	H	J	K	S	Weight (g)
16-1-3625	steel	zinc plated	35	36.5	1.2	1	11	13.5	23	19	8	8	3.5	20
16-1-3626	brass	chrome plated	35	36.5	1.2	1	11	13.5	23	19	8	8	3.5	24
16-1-3628	steel	zinc plated	50	56	1.5	1.2	16	19	34	29.5	12	11	5.5	71
16-1-3629	brass	chrome plated	50	56	1.5	1.2	16	19	34	29.5	12	11	5.5	75
16-1-3631	steel	zinc plated	70	73	2	1.5	22	28	45	38	16	16	7	129
16-1-3632	brass	chrome plated	70	73	2	1.5	22	28	45	38	16	16	7	163



Springloaded latches - bolt "nose-down"

Slam latches.

BRASS STEEL

Part number	Material	Finish	A	B	C	D	E	F	G	H	J	K	S	Weight (g)
16-1-3430	steel	zinc plated	35	36.5	1.2	1	11	13.5	23	19	8	8	3.5	20
16-1-3431	brass	chrome plated	35	36.5	1.2	1	11	13.5	23	19	8	8	3.5	24
16-1-3433	steel	zinc plated	50	56	1.5	1.2	16	20	34	29	12	12	5.5	71
16-1-3434	brass	chrome plated	50	56	1.5	1.2	16	20	34	29	12	12	5.5	75
16-1-3436	steel	zinc plated	70	73	2.0	1.5	22	28	45	38	16	16	7	129
16-1-3437	brass	chrome plated	70	73	2.0	1.5	22	28	45	38	16	16	7	163

