



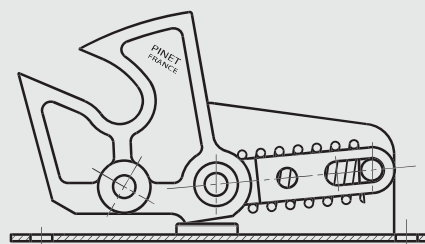
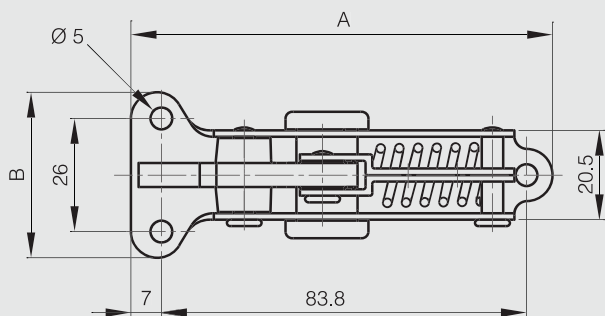
Spring-loaded catches

Catch

Nylon hook, rubber damper.

STEEL

Part number	Material	Finish	A	B	Force	Weight (g)
16-1-3271	steel	zinc plated	97	39	8kg	100



Counterplate for part number 16-1-3271

Nylon roller.

STEEL

Part number	Material	Finish	A	B	Weight (g)
16-1-3272	steel	chrome plated	62	22	41

