



## Quarter turn

### Quarter turn with wing knob

16-1-4226: key 455 E, supplied with 2 keys.



2 cams available (sold separately):

16-1-4227: flat cam (H18 L35).

16-1-4229: cranked cam (H11 L50). Same came can be used upside down for H25.

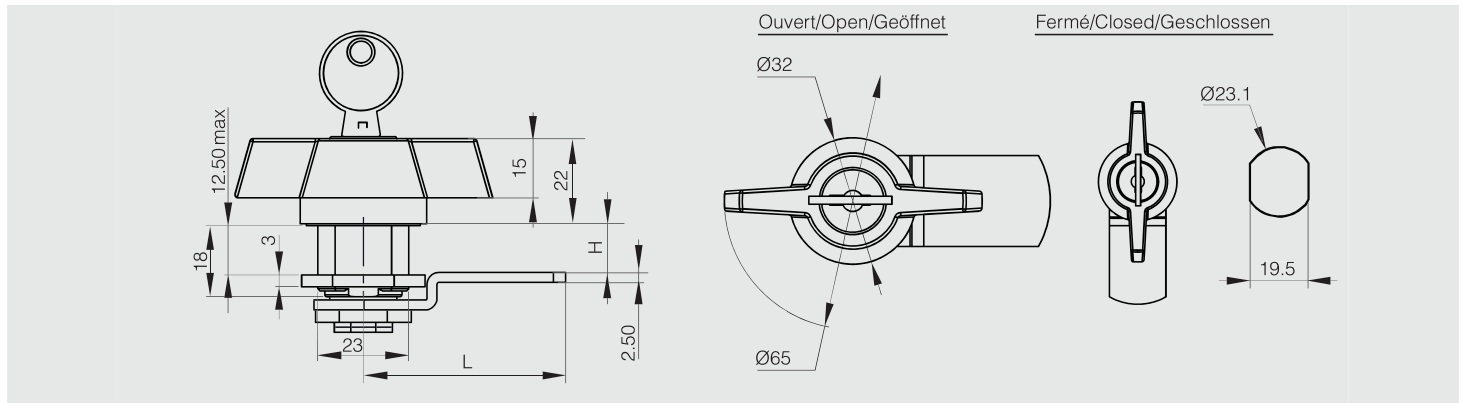
Cut-out: 19.5 x 23.1 mm.

Door thickness: max. 12.5 mm.

Material: wing knob in black PA, housing in zinc die-cast, key / cylinder / cam in steel, nut in brass.



Part number	Material	Finish	H	L	Note	Weight (g)
16-1-4226	zinc die-cast and PA	black			key 455 E	96
16-1-4227	steel	zinc plated	18	35		15
16-1-4229	steel	zinc plated	11	50	cranked cam	24



### Latch

Stainless steel spring



Part number	Material	Finish	A	B	H	S	Weight (g)
16-1-3266	steel	zinc plated	44	21	34	4.5	59

