

Hinges with dual function

Detent hinges

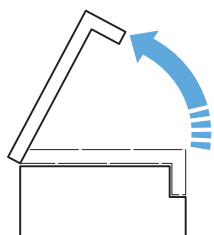
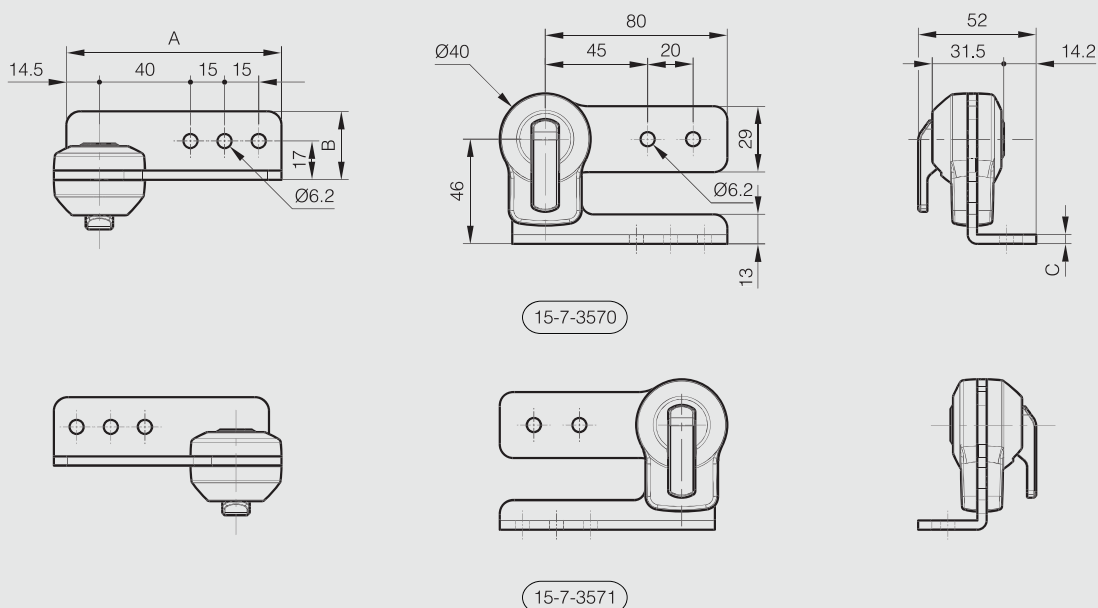
Multi angle locking hinge B with lever



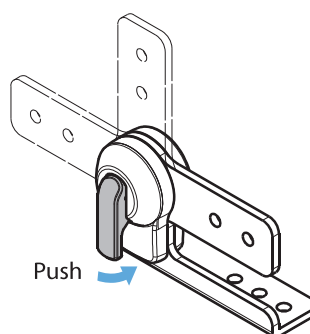
Easily adjusts the flap angle by toggling the lever.
 Lock allows the hinge to be held in position from 0° to 180° in 10° increments.
 The flap is temporarily unlocked while the lever is pushed.
 The flap stays unlocked when the lever is lifted.
 Hinge can be used with free axis hinge B (15-7-3572 or 15-7-3573).
 Lever, pin, cover: plastic.
 Recommended screws: M5.
 Unlocking torque 45 N.m.



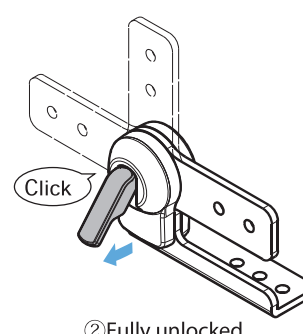
	Part number	Material	Finish	A	B	C	Note	Weight (g)
NEW	15-7-3570	steel	nickel plated	94,5	30	4	Type 1	305
NEW	15-7-3571	steel	nickel plated	94,5	30	4	Type 2	305



Holds in position
at angles in 10° increments



① Partially unlocked



② Fully unlocked