



Rectangular hinges

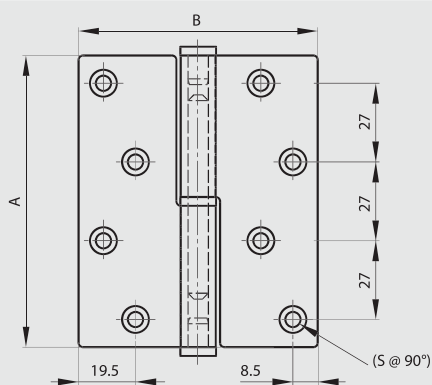
Lift-off hinges 100 x 82 mm - stainless steel with 8 holes

Only the visible side has a brushed finish.

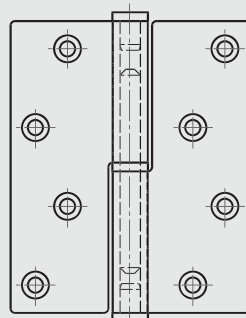
Produced mainly in stainless steel, for a complete description of the materials contact us.



Part number	Material	Finish	A	B	C	D	S	Note	Weight (g)
14-7-3675	304 stainless steel	brushed	100	82	2.5	7	6	type 1 / square corners	220
14-7-3679	304 stainless steel	brushed	100	82	2.5	7	6	type 2 / square corners	220



14-7-3675



14-7-3679

