

### Clean room lift-off hinges 65 x 60 mm

No metal-to-metal contact. Polyacetal bushings minimize particles.

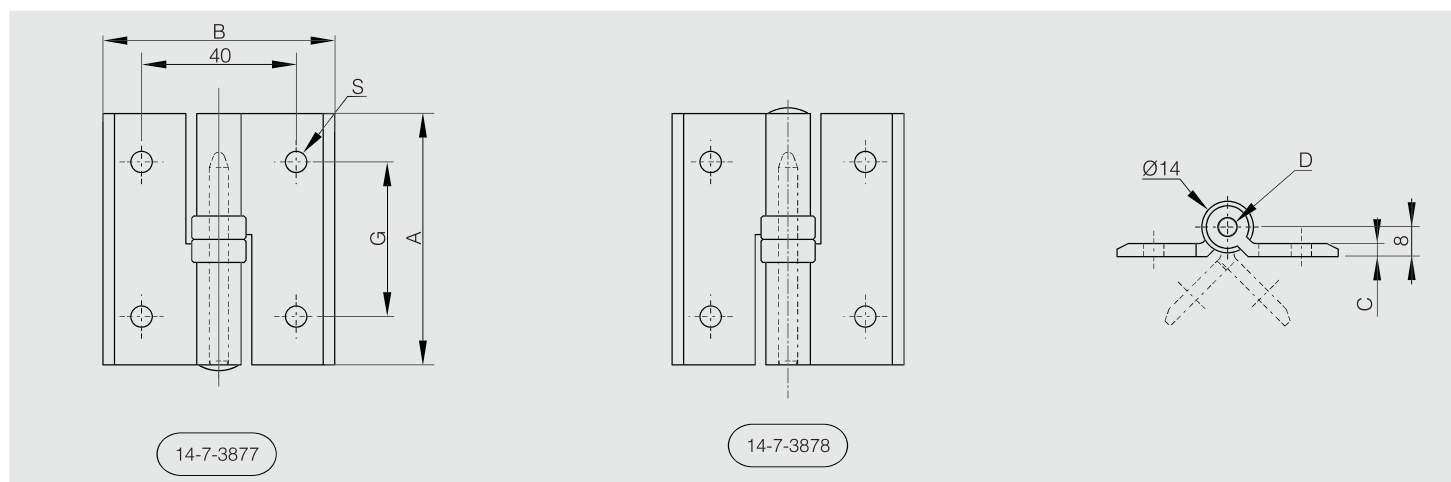
Door size: max. W600 x L800.

Door weight: max. 8 kg/pair.

303 stainless steel pin.



Part number	Material	Finish	A	B	C	D	G	S	Note	Weight (g)
14-7-3877	aluminium	anodised	65	60	3.5	5	40	5.5	type 1	49
14-7-3878	aluminium	anodised	65	60	3.5	5	40	5.5	type 2	49



### Aluminium lift-off hinges 80 x 80 mm

Zinc plated steel pin.

Nylon bushing.



Part number	Material	Finish	A	B	C	D	S	Note	Weight (g)
14-7-3624	aluminium	anodised silver	80	80	3.5	8	5.5	type 1	85
14-7-3625	aluminium	anodised silver	80	80	3.5	8	5.5	type 2	85

