



## Cranked spring hinges

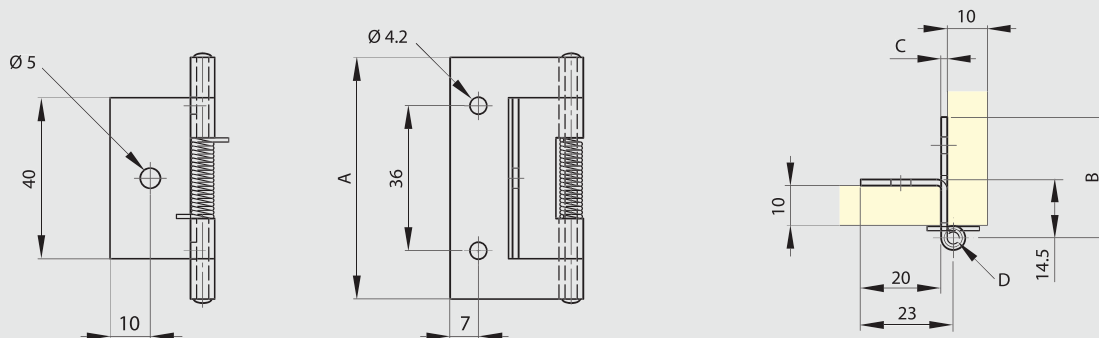
### Cranked spring hinge 60 mm long

Spring force:

M (0°): 0.03 N.m / M (90°): 0.16 N.m / M (180°): 0.32 N.m



Part number	Material	Finish	A	B	C	D	Note	Weight (g)
71-1-3622	316 stainless steel	raw	60	30	1.5	3	closing spring	40



### Lift-off rising hinge in stainless steel

Ramp integrated in the pin allows automatic closing by gravity.



Part number	Material	Finish	A	B	C	D	Note	Weight (g)
14-1-3886	304 stainless steel	brushed	80	80	3	8	type 2	216
14-1-3892	304 stainless steel	brushed	80	80	3	8	type 1	216

