



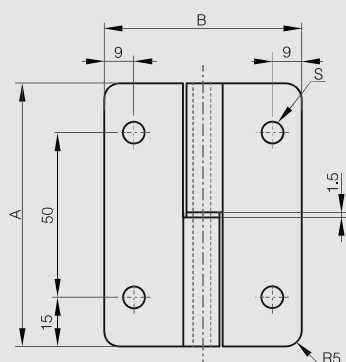
Rectangular hinges

Lift-off hinges 80 x 60 mm - stainless steel

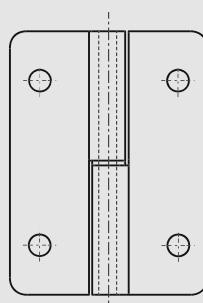
Pin and washer in stainless steel.



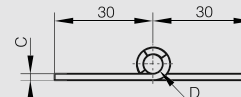
| Part number | Material | Finish | A | B | C | D | S | Note | Weight (g) |
|-------------|---------------------|--------|----|----|---|---|-----|--------|------------|
| 14-1-3872 | 304 stainless steel | raw | 80 | 60 | 2 | 6 | 6.3 | type 1 | 115 |
| 14-1-3873 | 304 stainless steel | raw | 80 | 60 | 2 | 6 | 6.3 | type 2 | 115 |



14-1-3872



14-1-3873



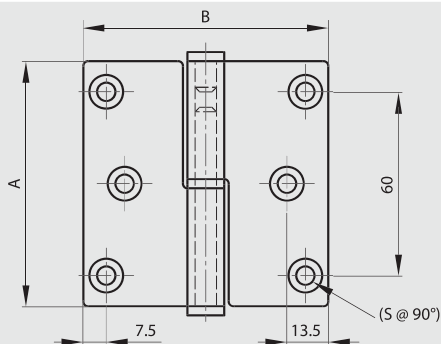
Lift-off hinges 80 x 80 mm - stainless steel with 6 holes

Only the visible side has a brushed finish.

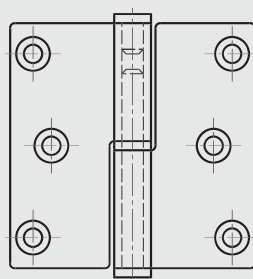
Produced mainly in stainless steel, for a complete description of the materials contact us.



| Part number | Material | Finish | A | B | C | D | S | Note | Weight (g) |
|-------------|---------------------|---------|----|----|-----|---|-----|-------------------------|------------|
| 14-7-3727 | 304 stainless steel | brushed | 80 | 80 | 2.5 | 7 | 5.8 | type 1 / square corners | 175 |
| 14-7-3728 | 304 stainless steel | brushed | 80 | 80 | 2.5 | 7 | 5.8 | type 2 / square corners | 175 |



14-7-3727



14-7-3728

