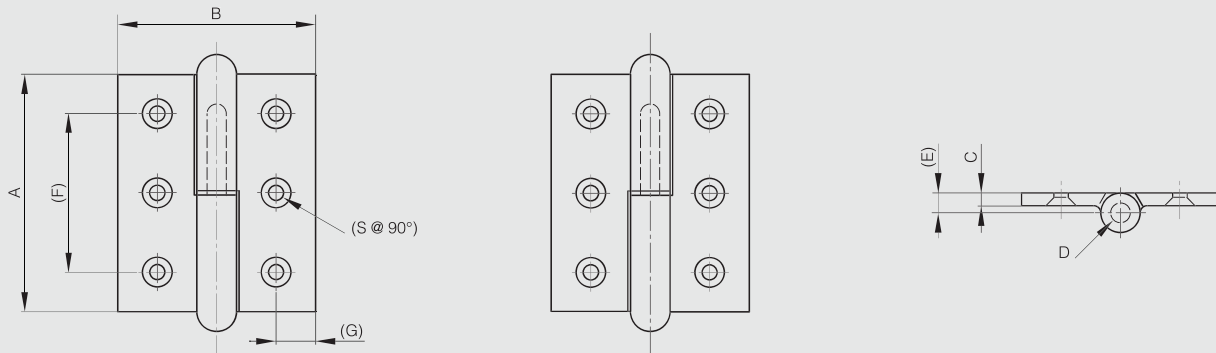


### Forged lift-off hinges

With raw brass washer.



Part number	Material	Finish	A	B	C	D	E	F	G	S	Note	Weight (g)
14-1-3328	steel	raw	48	40	3	4	4	32	8	4	type 1	52
14-1-3329	steel	raw	48	40	3	4	4	32	8	4	type 2	52
14-1-3330	steel	raw	60	50	3.5	5	5	40	10	5.5	type 1	97
14-1-3331	steel	raw	60	50	3.5	5	5	40	10	5.5	type 2	95
14-1-3332	steel	raw	72	60	4	6	6	48	12	6.5	type 1	156
14-1-3333	steel	raw	72	60	4	6	6	48	12	6.5	type 2	156
14-1-3334	steel	raw	84	70	4.5	7	7	56	14	7.5	type 1	245
14-1-3335	steel	raw	84	70	4.5	7	7	56	14	7.5	type 2	245
14-1-3336	steel	raw	96	80	5	8	8	66	16	8.5	type 1	360
14-1-3337	steel	raw	96	80	5	8	8	66	16	8.5	type 2	360



14-1-3328 & 14-1-3330  
14-1-3332 & 14-1-3334 & 14-1-3336

14-1-3329 & 14-1-3331  
14-1-3333 & 14-1-3335 & 14-1-3337