



Concealed springloaded pin hinges A

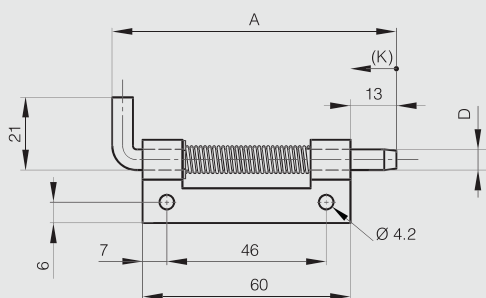
Stainless steel spring.

304 stainless steel pin for hinges in stainless steel.

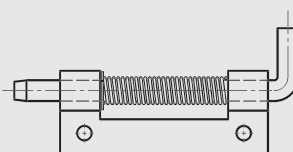
Circlip in 1.4122 stainless steel.



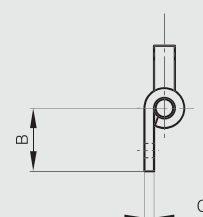
Part number	Material	Finish	A	B	C	D	K	Note	Weight (g)
12-1-3858	304 stainless steel	raw	82	18.2	2.8	6	12	type 2	46
12-1-3859	304 stainless steel	raw	82	18.2	2.8	6	12	type 1	46



12-1-3857 & 12-1-3855 & 12-1-3859



12-1-3856 & 12-1-3854 & 12-1-3858



Concealed springloaded pin hinges B

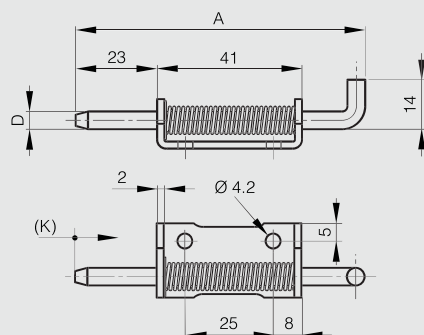
Stainless steel spring.

304 stainless steel pin for hinges in stainless steel.

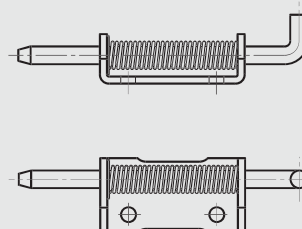
Circlip in 1.4122 stainless steel.



Part number	Material	Finish	A	B	C	D	K	Note	Weight (g)
12-1-3862	304 stainless steel	raw	82	21	14	5	12	type 2	39
12-1-3863	304 stainless steel	raw	82	21	14	5	12	type 1	39



12-1-3951 & 12-1-3861 & 12-1-3863



12-1-3950 & 12-1-3860 & 12-1-3862

