



### Concealed springloaded pin hinges A

Stainless steel spring.

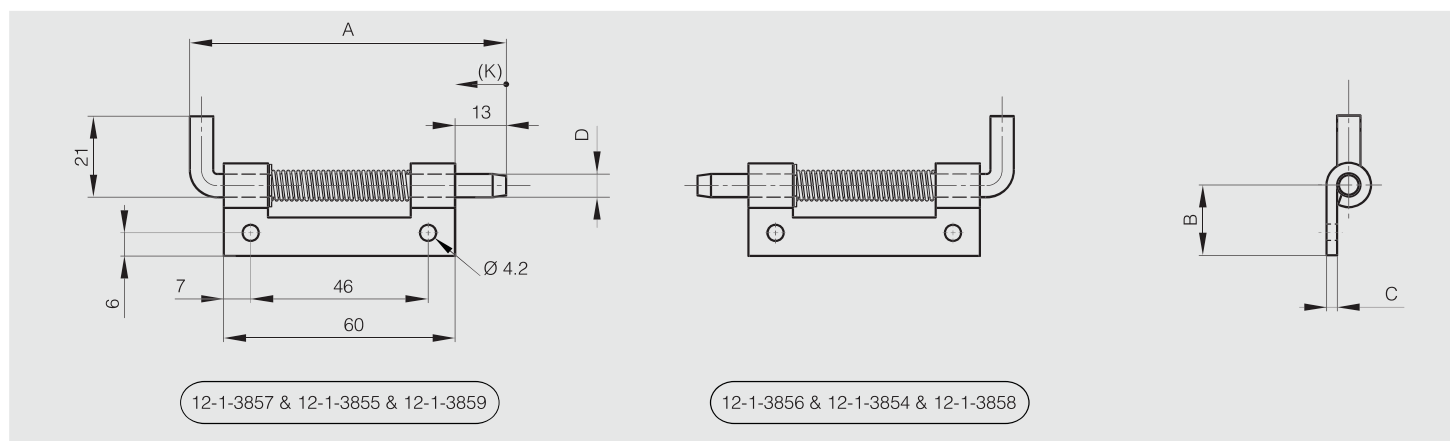
Hinges in raw steel and zinc plated steel with a zinc plated pin.

304 stainless steel pin for hinges in stainless steel.

Circlip in 1.4122 stainless steel.



Part number	Material	Finish	A	B	C	D	K	Note	Weight (g)
12-1-3856	steel	raw	82	18.2	2.8	6	12	type 2	46
12-1-3857	steel	raw	82	18.2	2.8	6	12	type 1	46
12-1-3854	steel	zinc plated	82	18.2	2.8	6	12	type 2	46
12-1-3855	steel	zinc plated	82	18.2	2.8	6	12	type 1	46
12-1-3858	304 stainless steel	raw	82	18.2	2.8	6	12	type 2	46
12-1-3859	304 stainless steel	raw	82	18.2	2.8	6	12	type 1	46



### Concealed springloaded pin hinges B

Stainless steel spring.

Zinc plated pin for hinges in raw steel and zinc plated steel.

304 stainless steel pin for hinges in stainless steel.

Circlip in 1.4122 stainless steel.



Part number	Material	Finish	A	B	C	D	K	Note	Weight (g)
12-1-3950	steel	raw	82	21	14	5	12	type 2	39
12-1-3951	steel	raw	82	21	14	5	12	type 1	39
12-1-3860	steel	zinc plated	82	21	14	5	12	type 2	39
12-1-3861	steel	zinc plated	82	21	14	5	12	type 1	39
12-1-3862	304 stainless steel	raw	82	21	14	5	12	type 2	39
12-1-3863	304 stainless steel	raw	82	21	14	5	12	type 1	39

