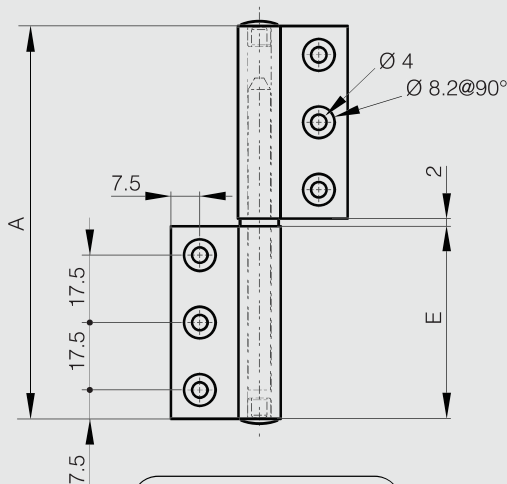


Lift-off hinges in aluminium profile with a stainless steel pin

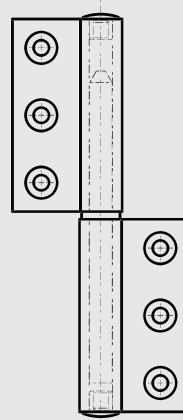
Stainless steel pin.
Supplied with polymer caps.



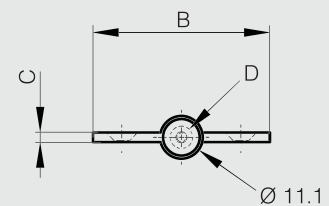
Part number	Material	Finish	A	B	C	D	E	Note	Weight (g)
12-1-4283	6060 T5 alu	clear anodised	102	45.9	2.5	6.1	50	type 1	50
12-1-4286	6060 T5 alu	clear anodised	102	45.9	2.5	6.1	50	type 2	50
12-1-4284	6060 T5 alu	black anodised	102	45.9	2.5	6.1	50	type 1	50
12-1-4287	6060 T5 alu	black anodised	102	45.9	2.5	6.1	50	type 2	50



12-1-4283 & 12-1-4284



12-1-4286 & 12-1-4287

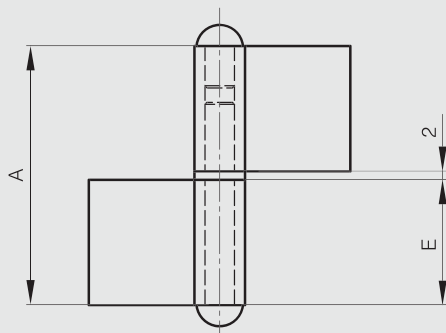


Flag hinge with washer - 62 x 62 mm

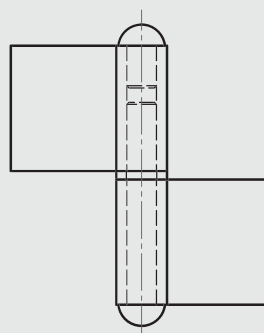
Flag hinge with brass washer.



Part number	Material	Finish	A	B	C	D	E	Note	Weight (g)
12-1-3634	steel	raw	62	62	2.5	7	30	type 2	87
12-1-3635	steel	raw	62	62	2.5	7	30	type 1	87



12-1-3635



12-1-3634

