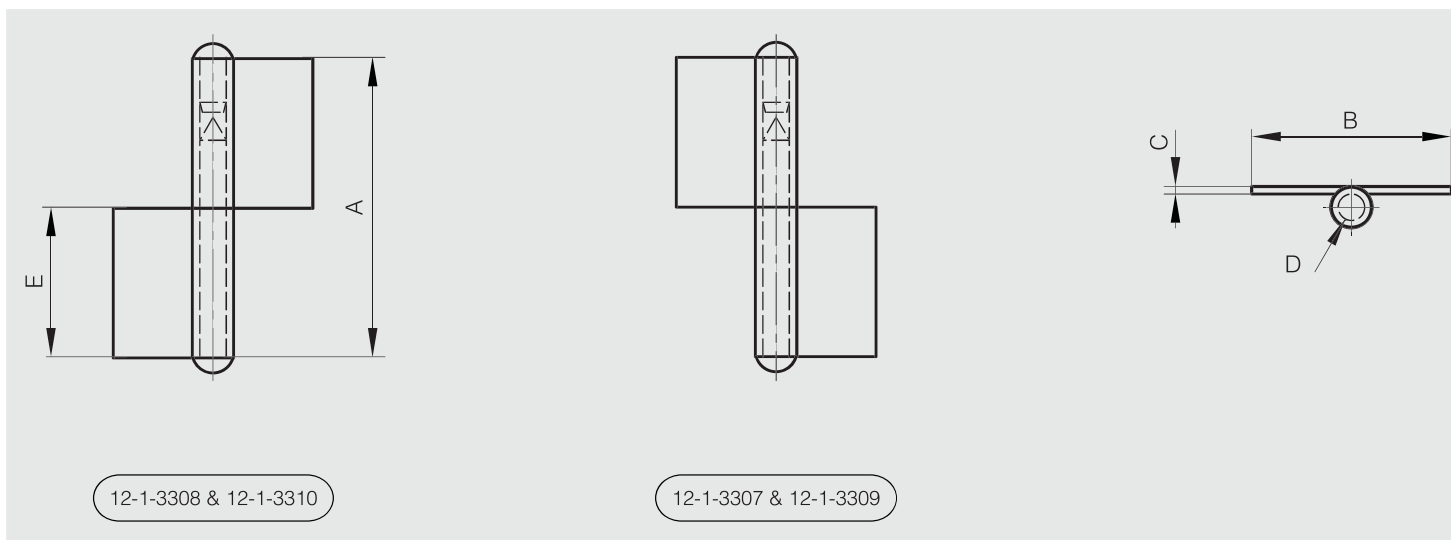


### Flag hinge without washer - flat knuckle



Part number	Material	Finish	A	B	C	D	E	Note	Weight (g)
12-1-3307	steel	raw	60	40	1.5	5.3	30	type 2	39
12-1-3308	steel	raw	60	40	1.5	5.3	30	type 1	39
12-1-3309	steel	raw	80	48	2	5.8	40	type 2	76
12-1-3310	steel	raw	80	48	2	5.8	40	type 1	76



### Flag hinge with washer - flat knuckle

Flag hinge with brass washer, included separately.



Part number	Material	Finish	A	B	C	D	E	Note	Weight (g)
12-1-3311	steel	raw	61.5	40	1.5	5.3	30	type 2	40
12-1-3312	steel	raw	61.5	40	1.5	5.3	30	type 1	40
12-1-3313	steel	raw	81.5	48	2	5.8	40	type 2	77
12-1-3314	steel	raw	81.5	48	2	5.8	40	type 1	77

